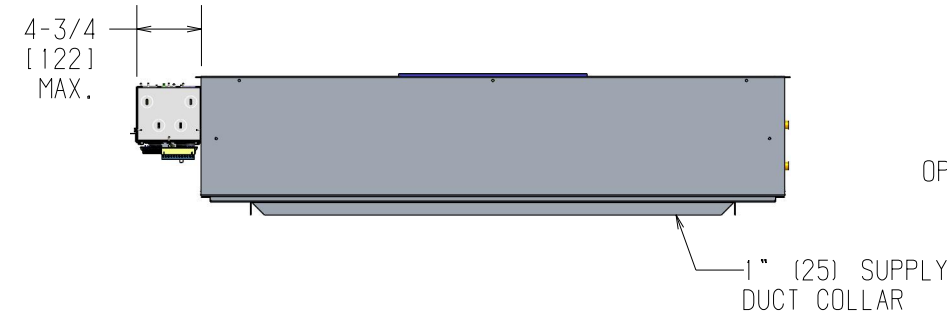
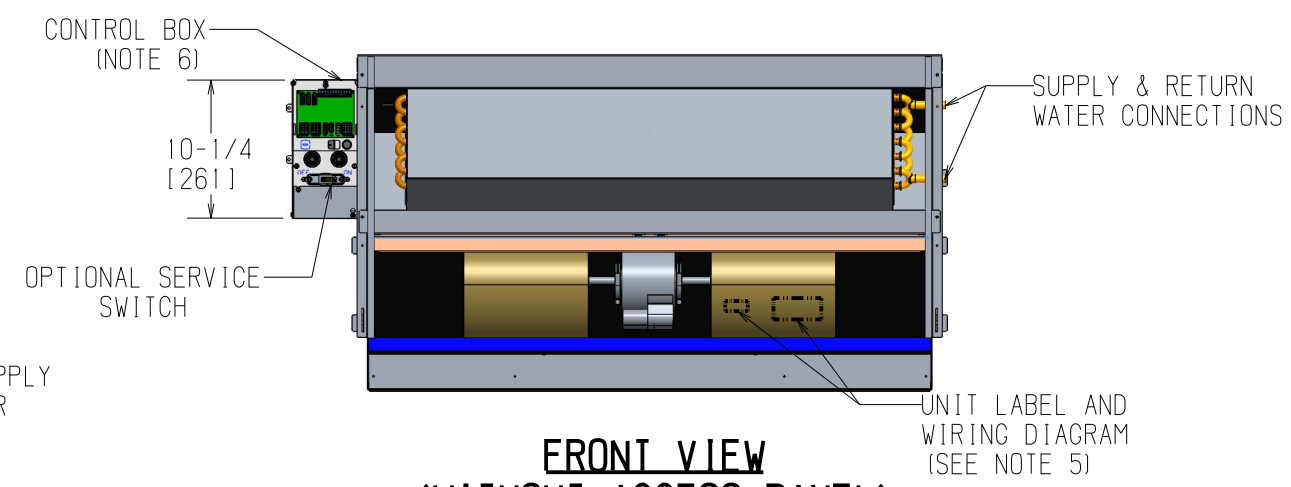


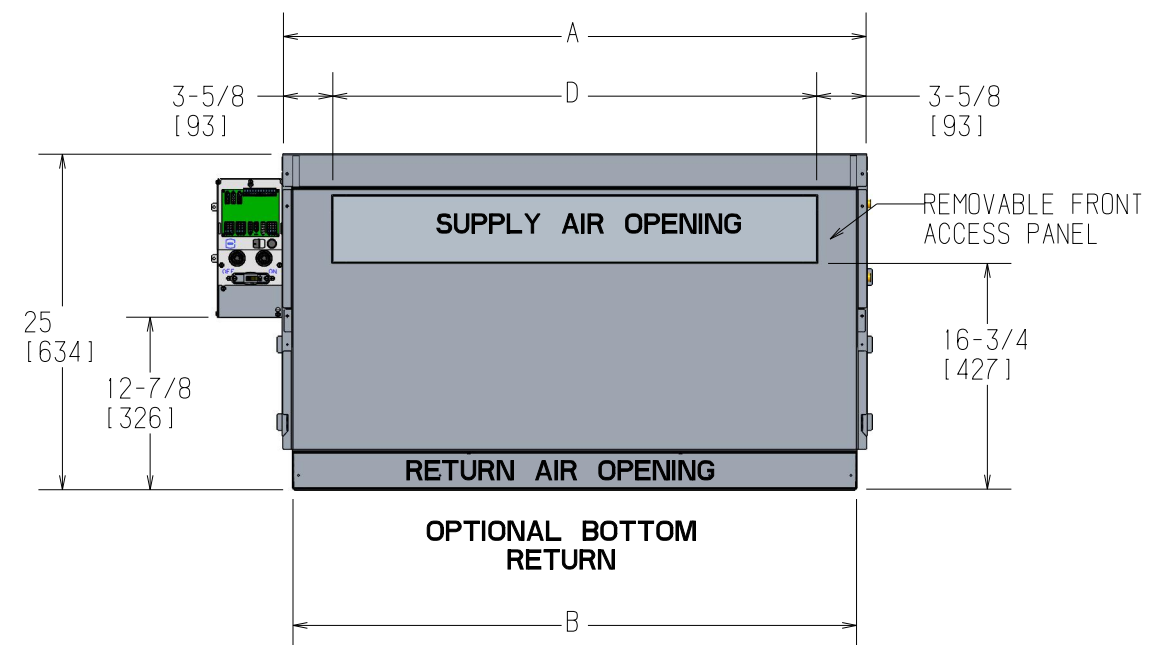
REVISION HISTORY		
REV	DATE	ECN
-	04/29/17	17-0554
A	07/16/22	22-0654



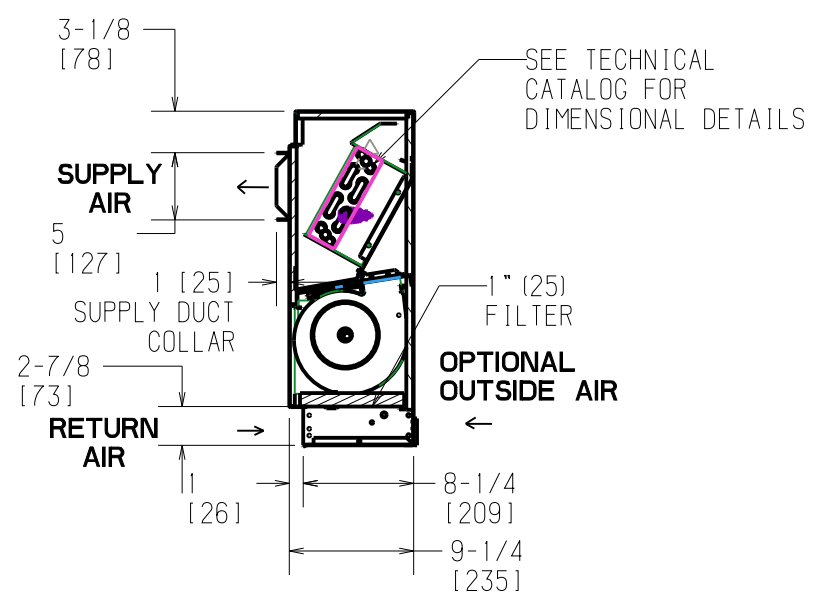
TOP VIEW



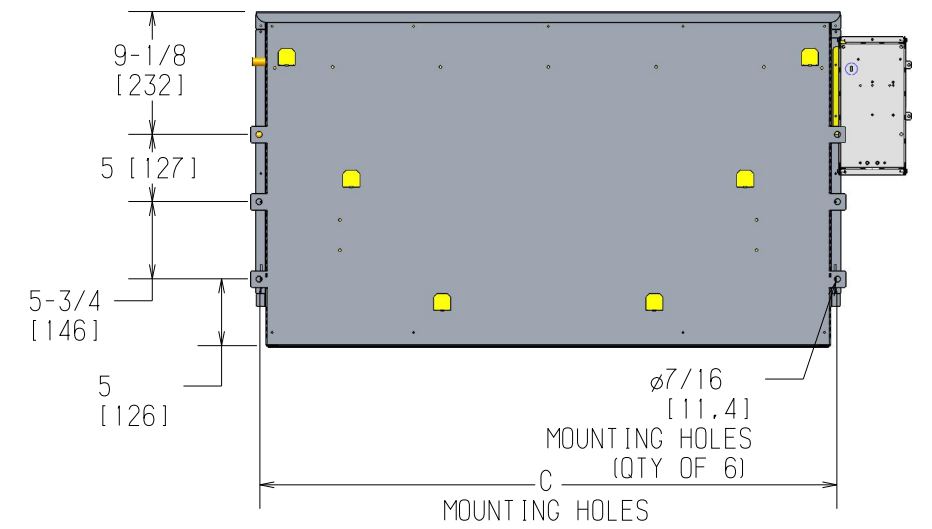
**FRONT VIEW
(WITHOUT ACCESS PANEL)**



FRONT VIEW



RIGHT SIDE VIEW



REAR MOUNTING VIEW

- NOTES:
1. RH COIL SHOWN. LH OPPOSITE.
 2. ALL DIMENSIONS ARE +/- .25 (6). DRAWING NOT TO SCALE.
 3. PRODUCT SPECIFICATIONS ARE SUBJECT TO CHANGE WITHOUT NOTICE.
 4. CONTROL BOX SIZE AND POSITION MAY VARY (CONSULT FACTORY)
 5. POSITION MAY VARY.
 6. SERVICE ACCESS IS LOCATED ON THE FRONT OF THE CONTROL BOX.
 7. KNOCKOUTS ON THE BOTTOM AND SIDE OF THE CONTROL BOX FOR INCOMING POWER CONNECTIONS

Unit Model	Dimensions - Inches (Millimeters)				Quantity/Unit	
	A	B	C	D	Blower	Motor
GHY 02	23-1/2 (597)	22 (559)	23 (584)	16 (406)	1	1
GHY 03	27-1/2 (699)	26 (660)	27 (686)	20 (508)	1	1
GHY 04	33-1/2 (851)	32 (813)	33 (838)	26 (660)	2	1
GHY 06	43-1/2 (1105)	42 (1067)	43 (1092)	36 (914)	2	1
GHY 08	45-1/2 (1156)	44 (1118)	45 (1143)	38 (965)	2	1
GHY 10	59-1/2 (1511)	58 (1473)	59 (1499)	52 (1321)	4	2
GHY 12	67-1/2 (1715)	66 (1676)	67 (1702)	60 (1524)	4	2

TITLE
VERT CUH HIDEAWAY FRNT SPLY

DWG NO
1100-90044031

REV
A

DRAWN K.Meharwade	DATE 07/16/22	APPROVED J.Bradford	DATE 09/07/22
----------------------	------------------	------------------------	------------------